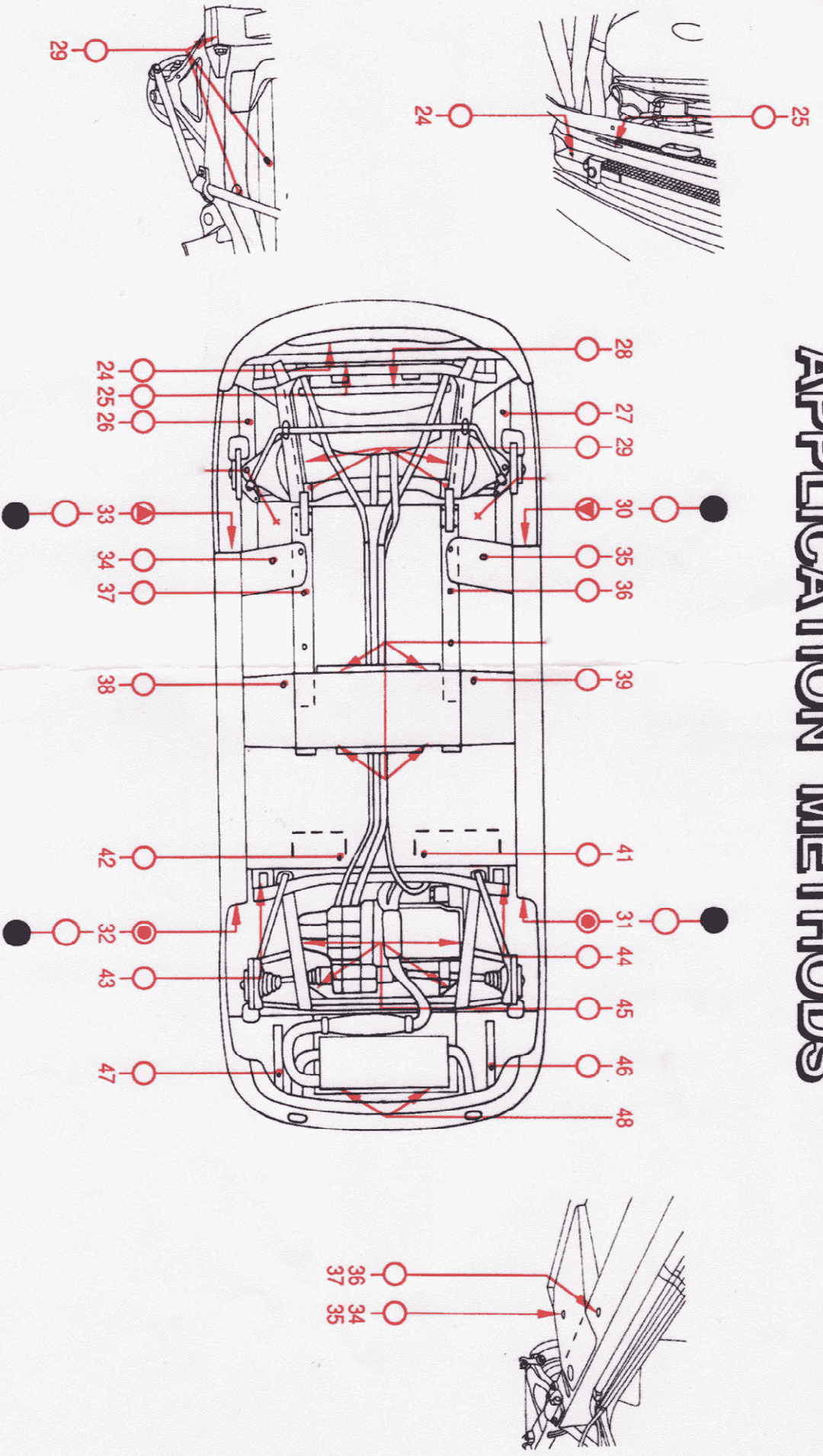


# DINOL APPLICATION METHODS





- = Existing holes
- = Existing holes to be plugged
- = Holes to be drilled
- = Holes to be drilled and plugged

# DINOL APPLICATION METHODS

MGF 96-

